

'Cleaning in Place'  
Enzyme based detergent series products

**SUPER  
IMPROVED  
NEW TECHNOLOGY  
LIQUEFIES DRIED INK  
IN SECONDS**

# **SUPER** **BioClean5G**

**New generation chemical technology**  
**The best just got better**

**SUPER BIOCLEAR 5G**  
the next generation  
in automatic cleaning  
is designed to work  
with CleanPrint's  
Automated  
Cleaning System



[www.cleanprintchemicals.com](http://www.cleanprintchemicals.com)

SUPER BIOCLEAR 5G - YOUR ANILOX'S ARE ALWAYS CLEAN. A COMPLETE TOTALLY AUTOMATED SOLUTION FOR YOUR PLANT

# SUPER BioClean5G

**With enzymes and now with NEW generation chemical technology**

**The next generation CleanPrint automatic cleaner for the water based printing industry is here. CleanPrint is introducing another breakthrough in cleaning technology, SUPER BIOCLEAN 5G.**

The 'BioClean' Automatic System has been recognised as an astounding success in the printing industry. New SUPER BIOCLEAN 5G is cutting edge new chemical technology now with a unique, breakthrough blend of safe, water based solvents and specially designed enzymes to liquefy dried ink rapidly without any corrosive effect on equipment. Increases your savings in production and maintenance costs.

***Used exclusively with CleanPrint's automatic cleaning system, SUPER BIOCLEAN 5G's cutting edge technology improves cleaning performance and reduces solids in waste water at even greater dilution rates, bringing more savings in production and maintenance costs.***

New SUPER BIOCLEAN 5G can be used to safely and quickly remove ink off all surfaces in your plant. Non-corrosive non-hazardous.

## **SUPER BIOCLEAN 5G delivers:**

- Unique blend of special enzymes
- Breakthrough solvent technology
- Dissolves dried ink even faster than before
- Reduced surfactant levels
- Greater dilution rates
- Increased production capability
- Greater maintenance savings
- Increased operator effectiveness
- Easier and quicker plate cleaning
- Reduced solid content in waste water
- Better waste water compliance
- Increased pride in machine care
- Non-corrosive and non-hazardous
- Your printers love it !

## **WHY ENZYMES?**

Enzymes are biological molecule catalysts that act on molecules like starch. They don't get used up in each reaction and can work in the right conditions until all the ink and starch is broken apart and dissolved. Enzymes are a part of nature and are fully biodegradable.

***Cleaning in Place*** - Enzyme and bacteria based series  
detergents do not require plant to be disassembled.

Other corrugated box industry products include:

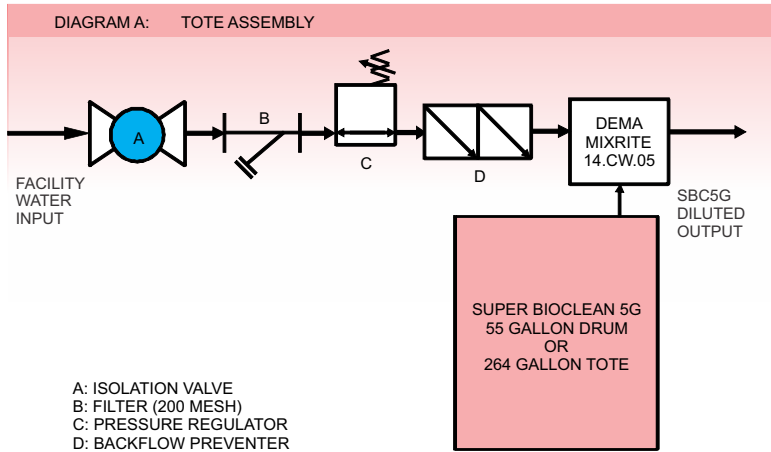
**SUPER STARCH OFF** - For controlling starch build ups

**WATER TREATMENT GOLD** - Enzyme based industrial waste water control

**WATER TREATMENT SUPER ENZYMES** - Biodegradable enzyme control  
for waste water

# The CleanPrint Automated System

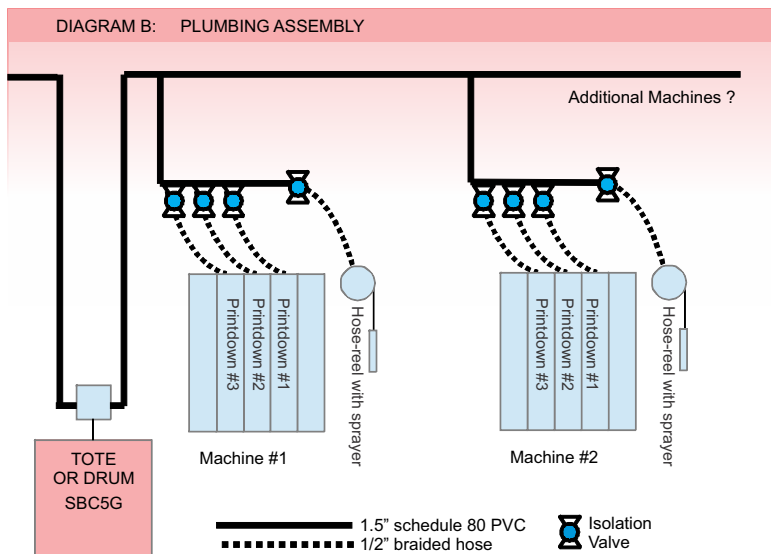
The CleanPrint System pulls SUPER BIOCLEAN 5G concentrate from a 264-gallon tote, dilutes it and delivers it directly to every print station. There, it ties into the water lines and uses a special electronic control to deliver SBC5G to the anilox rolls and ink systems. This program reduces the time required for wash-ups to as little as 4 minutes. Each machine also gets a hand-held sprayer, this gives the operators the power to clean print plates, ink trays and the machine body itself before leftover ink becomes a problem.



The system is designed to inject SUPER BIOCLEAN 5G into the ink lines. It is simple to install and easy to maintain and use.

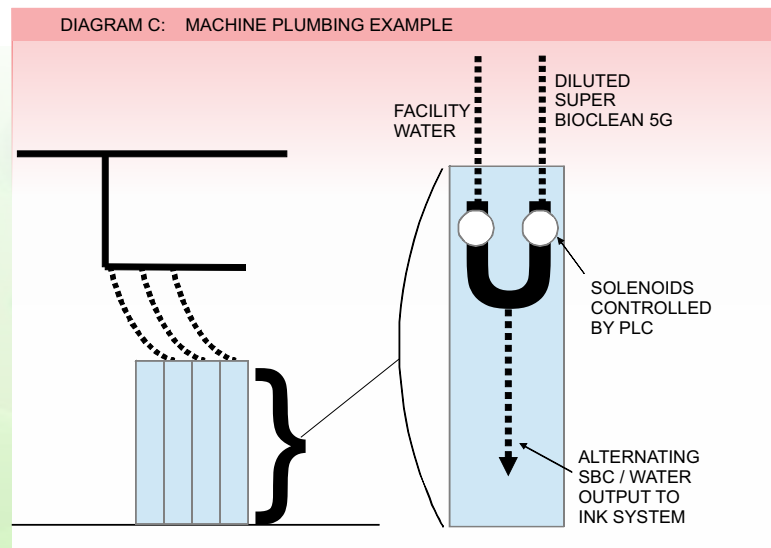
## The Components of the system are:

- Facility water supply;
- Tote or pump of SBC5G
- Diluting unit
- PLC with programmed 4, 6 and 8 minute wash cycles
- Switching manifold
- Plumbing directly to machines
- Foamer / sprayer



The regular use of the CleanPrint System turns back the clock on ink system wear and tear. Instead of slowing down the rate at which dried ink builds up in the system, SUPER BIOCLEAN 5G washes away old ink from anilox rolls, ink lines, pumps and supporting equipment.

When you incorporate the CleanPrint System, you immediately begin to return your anilox rolls and ink systems to like-new condition and keep them that way. In the short term, you are able to reduce downtime for cleaning, save ink and increase print quality while reducing the time to good print.



Over a longer time period, you lengthen the life of your anilox rolls and doctor chambers, reduce pump failures and eliminate lengthy deep cleans like media blasting, ultrasonic cleaning and chemical treatments. Operators develop pride in the cleanliness of your machines and are eager to use the CleanPrint System to keep them that way.



# SUPER BioClean5G

- Centralized automatic cleaning system for all converting lines
- Automation eliminates chemical cleaning Health & Safety issues
- Tidy, simple and automatic
- Reduced manual labour for Anilox Roll Cleaning
- Increased production time with less breakdowns
- Superior printing
- Product formulation will not corrode doctor blades or blister anilox rolls or damage rubber rolls and seals on bearings
- Reduction in the use of ink and water
- System uses approx half manual cleaning wash-up
- Concentrated at 1:50 SUPER BIOCLEAR 5G comes in two sizes:  
55 gallon drum makes 2,805 gallons of wash up  
264 gallon tote bin makes 13,464 gallons of wash up
- Significant direct and indirect cost savings



## Take our Challenge...

Take any two-color Flexo or Rotary Die Cutter in your plant ...

Install just one CleanPrint Automatic System

**Let us prove it is the best investment in anilox cleaning you ever made ... or your money back !\***

\*You will need to provide hoses, water filter, check valve and a few other plumbing items, plus shut-off valve for drum installation. Conditions apply, please contact us to discuss your requirements.

For more information and a convincing demonstration, contact:



[www.cleanprintchemicals.com](http://www.cleanprintchemicals.com)

C.A.T. 2/530 Boundary Rd,  
Derrimut, Victoria,  
Australia 3030  
Office Ph: +613 5783 2902  
Cell: +61416 275 634