

'Cleaning in Place'
Detergent series products

SUPER **Special Blade Clean 3G**

New generation chemical technology
The best just got better

4 Minute Wash-Up
Automatic Application
Deep Clean

Super Special Blade Clean 3G is an environmentally-friendly ink-removing solvent specifically designed to clean anilox rolls and the whole inking system, including: external and internal ink pumps, doctor chambers, ink lines, fountain rolls, printing dies and ink trays.



www.cleanprintchemicals.com

SUPER SPECIAL BLADE CLEAN 3G - YOUR ANILOX'S ARE ALWAYS CLEAN. A COMPLETE TOTALLY AUTOMATED SOLUTION FOR YOUR PLANT

SUPER Special Blade Clean 3G



CleanPrint's Deep-Cleaning, 4 Minute Wash-Up Detergent, for Water Based Flexo Systems

A 4 minute wash-up saves you lots of time. Here's the potential savings on just one machine.

YOU SAVE:

20 minutes a day x 250 working days = 5,000 min. or **83 production hours** (2 weeks)

40 minutes a day x 250 working days = 10,000 min. or **167 production hours** (4 weeks)

60 minutes a day x 250 working days = 15,000 min. or **250 production hours** (6 weeks)

This system **SAVES YOU TIME, SAVES YOU MONEY**, it reduces maintenance, increases production time by reducing downtime, gives a better print every time, reducing ink wastage and faulty product returns - **GUARANTEED !**

What is Super Special Blade Clean 3G

It is a specially formulated, environmentally friendly (non-abrasive, non-corrosive), water based ink remover to deep clean flexo anilox systems.

Anilox Rolls, ink pumps, ink lines, doctor blade assemblies, trays, wash up systems and any other internal components are thoroughly cleaned.

The Special Blade Clean system is an automated Box Plant Anilox Roll cleaning system that dispenses this uniquely designed cleaning solution to rolls and their related components so the parts are automatically deep cleaned on the machine.

This product was precisely designed for the corrugated box industry!



Your equipment will look like this when using the CleanPrint System.

Improve Anilox Roll Cell Volume in 30 DAYS or LESS.

No more soda blasting!

Certified Audit results demonstrate the following benefits:

- Over 9 rolls of various types, cells initially had a volume 69%-85% of manufactured maximum BCM
- After installing CleanPrint and using it for 6 months, cells had a volume of 88%-100% of manufactured maximum BCM
- Each roll had a 10% to 31% gain in BCM for an average 19% gain in BCM



Anilox Roll before Special Blade Clean



Anilox roll after Special Blade Clean wash



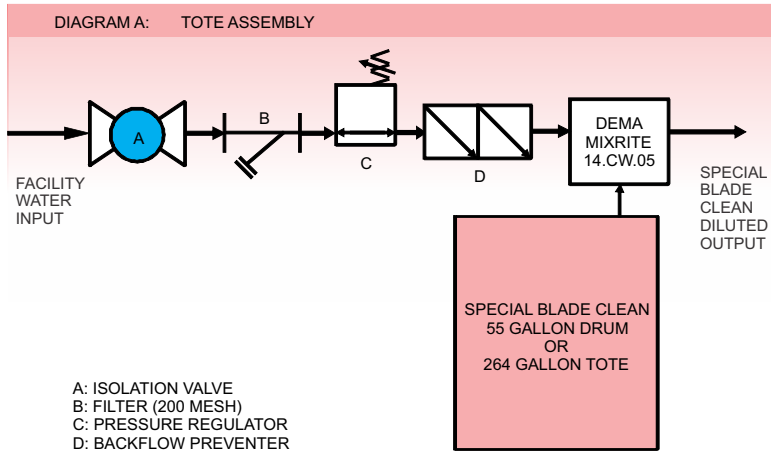
Typical condition of ink load on tray



Tray when using Special Blade Clean

The CleanPrint Automated System

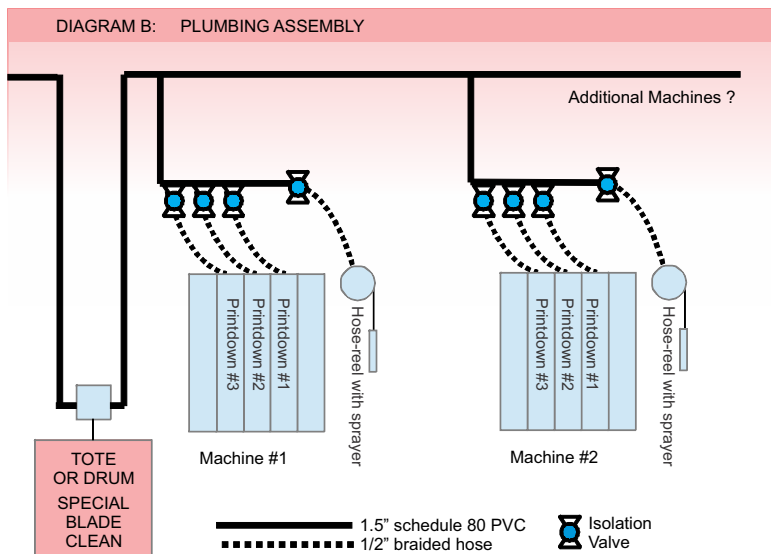
The CleanPrint System pulls Super Special Blade Clean 3G concentrate from a 264-gallon tote, dilutes it and delivers it through PVC piping to every print station. There, it ties into the water lines and uses a special electronic control to deliver SSBC3G to the anilox rolls and ink systems. This program reduces the time required for wash-ups to as little as 4 minutes. Each machine also gets a hand-held sprayer, this gives the operators the power to clean print plates, ink trays and the machine body itself before leftover ink becomes a problem.



The system is designed to inject Super Special Blade Clean 3G into the ink lines. It is simple to install and easy to maintain and use.

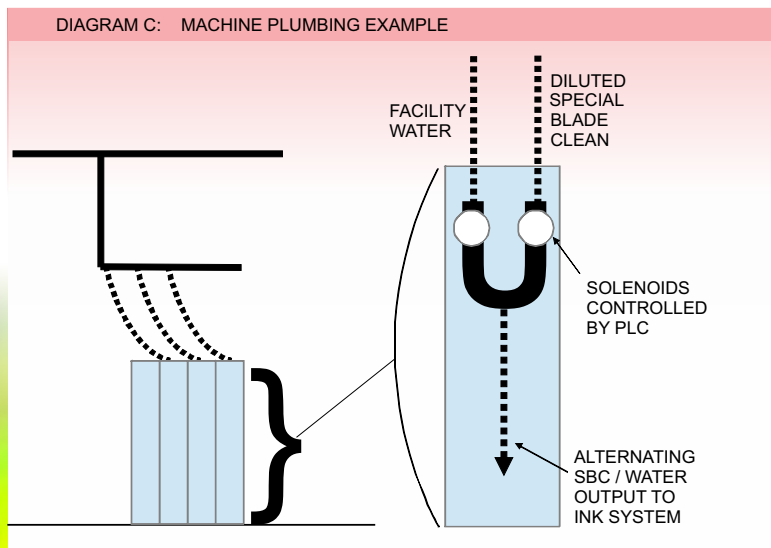
The Components of the system are:

- Facility water supply;
- Tote or pump of SSBC3G
- Diluting unit
- PLC with programmed 4, 6 and 8 minute wash cycles
- Switching manifold
- PVC delivery to machines
- Foamer / sprayer



The regular use of the CleanPrint System turns back the clock on ink system wear and tear. Instead of slowing down the rate at which dried ink builds up in the system, Super Special Blade Clean 3G washes away old ink from anilox rolls, ink lines, pumps and supporting equipment.

When you incorporate the CleanPrint System, you immediately begin to return your anilox rolls and ink systems to like-new condition and keep them that way. In the short term, you are able to reduce downtime for cleaning, save ink and increase print quality while reducing the time to good print.



Over a longer time period, you lengthen the life of your anilox rolls and doctor chambers, reduce pump failures and eliminate lengthy deep cleans like media blasting, ultrasonic cleaning and chemical treatments. Operators develop pride in the cleanliness of your machines and are eager to use the CleanPrint System to keep them that way.

SUPER Special Blade Clean 3G

- Centralized automatic cleaning system for all converting lines
- Automation eliminates chemical cleaning Health & Safety issues
- Tidy, simple and automatic
- Reduced manual labour for Anilox Roll Cleaning
- Increased production time with less breakdowns
- Superior printing
- Product formulation will not corrode doctor blades or blister anilox rolls or damage rubber rolls and seals on bearings
- Reduction in the use of ink and water
- System uses approx half manual cleaning wash-up
- Concentrated at 1:50 Super Special Blade Clean 3G comes in two sizes:
 - 55 gallon drum makes 2,805 gallons of wash up
 - 264 gallon tote bin makes 13,464 gallons of wash up
- Significant direct and indirect cost savings



Take our Challenge...



Take any two-color Flexo or Rotary Die Cutter in your plant ...

Install just one CleanPrint Automatic System

Let us prove it is the best investment in anilox cleaning you ever made ... or your money back !*

*You will need to provide hoses, water filter, check valve and a few other plumbing items, plus shut-off valve for drum installation. Conditions apply, please contact us to discuss your requirements.



www.cleanprintchemicals.com

C.A.T. 2/530 Boundary Rd,
Derrimut, Victoria,
Australia 3030
Office Ph: +613 5783 2902
Cell: +61416 275 634